



# OWNER'S MANUAL

Version 1.3 | 22/12/2021  
670090200SS-MAN

## HOBBY PRO EVAPORATOR



Hobby Pro evaporator shown  
with the optional 3-way pan  
(670090214)

**Thank you for choosing a CDL wood evaporator. Our 40 years of experience serving maple syrup producers means that you've purchased a high-quality, powerful piece of equipment.**

## **INFORMATION**

**Record these details for future reference**

Brand: \_\_\_\_\_

Date purchased: \_\_\_\_\_

Model number: \_\_\_\_\_

Serial number: \_\_\_\_\_

## TABLE OF CONTENTS

BASIC COMPONENTS INCLUDED	4
OPTIONAL PARTS	4
ASSEMBLY AND INSTALLATION	5
CUTTING INSULATION FOR THE DOOR AND FRONT AND BACK PLATES	10
BRICKING	11
OPERATING THE EVAPORATOR	14
WARRANTY	15

## SAFETY

Wood evaporators can be dangerous. Always wear heat-proof gloves and clothing when operating an evaporator. Sugar shacks often have visitors. Make sure all visitors, especially children, stay a safe distance away from the evaporator.

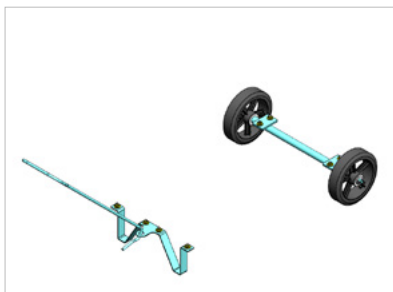
Wood-burning evaporators run on solid fuel (wood) and produce intense heat in the front and near the chimneys. When placing your evaporator, make sure the floor is made of cement or ceramic tiles that are strong enough to bear the weight of the evaporator and its contents. Additionally, the evaporator must be at least 24" away from the walls on all sides. If you need to place the evaporator closer to a wall, install a heat-resistant coating on that wall. We strongly recommend that you contact your insurance company to ensure that the evaporator is installed according to their safety rules, as companies have different requirements.

## BASIC COMPONENTS INCLUDED

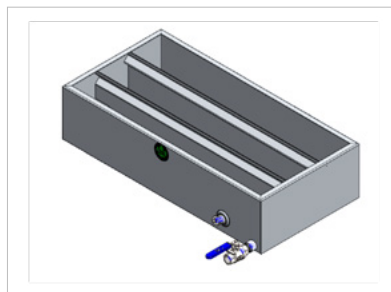
- Panels and door for assembling
- Nuts and bolts
- Handle
- Ceramic wool (23" x 48")
- Black steel 90° elbow
- 2 6" pipes, black steel

## OPTIONAL PARTS

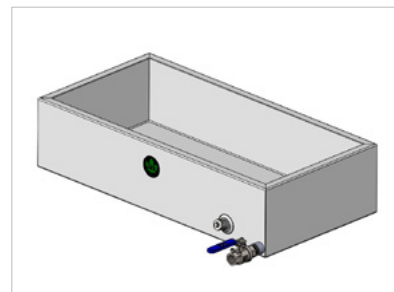
NUMBER	DESCRIPTION	NUMBER	DESCRIPTION
670090213	WHEEL KIT	670090217	19 FIRE BRICKS 1-1/4" x 4-1/2" x 9"
670090214	3-WAY PAN	670090218	STOVE PAN
670090215	FLAT BOTTOM PAN	67WPC032	PAN COVER
670090216	WATER LEVEL	EITC0306	THERMOMETER



670090213



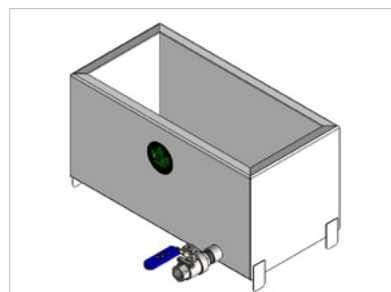
670090214



670090215



670090216

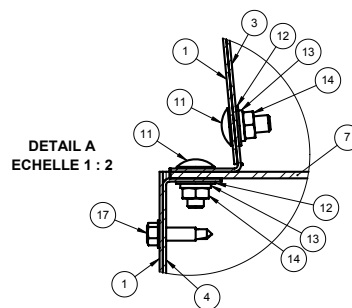
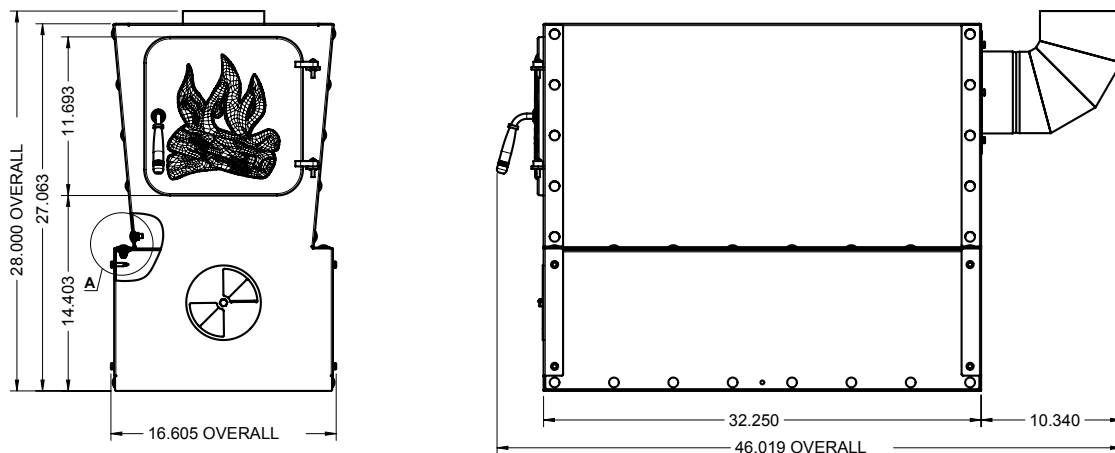


670090218

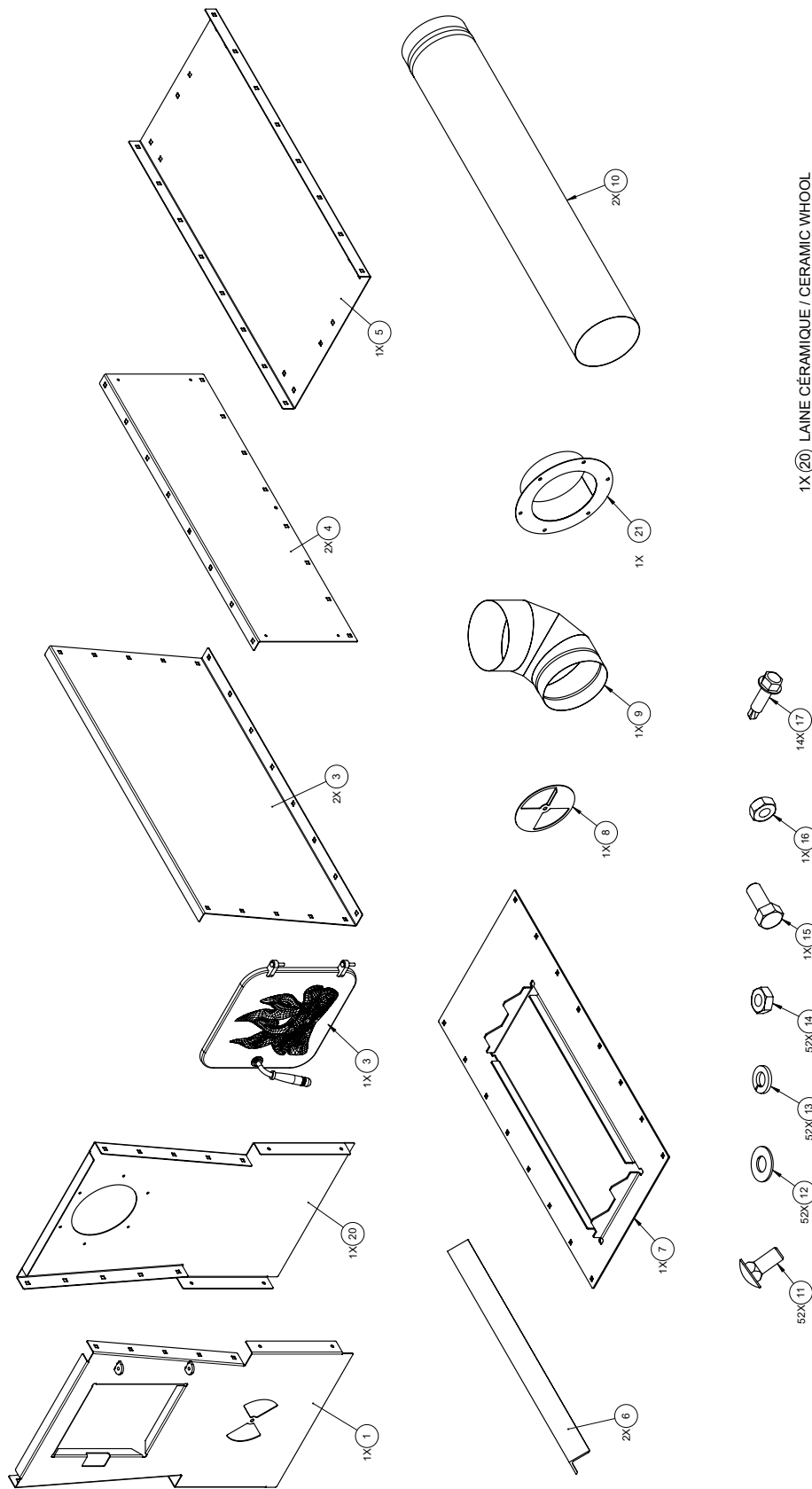
# ASSEMBLY AND INSTALLATION

Please make sure to follow the steps below to ensure proper operation of the evaporator.

#	Part number	Qty	Description
1	EVHO-A00024	1	FRONT PANEL ASSEMBLY SS
3	EVHO-A00021	1	HOBBY EVAPORATOR DOOR ASSEMBLY
3	EVHO-P00047	2	SIDE PLATE SS
4	EVHO-P00048	2	LOWER SIDE PLATE SS
5	EVHO-P00049	1	BOTTOM PLATE SS
6	EVHO-P00050	2	ANGLE SS
7	EVHO-P00051	1	MIDDLE PLATE SS
8	EVHO-P00052	1	HOBBY EVAPORATOR VENTILATION DISC SS
9	670090210	1	ELBOW 90° X 6" FOR CHEMINY
10	670090211	2	CHIMNEY SECTION 6" X 36" LONG
11	BCAI-T051-0750	52	CARRIAGE BOLTS 5/16-18 X 3/4" SS
12	RFLI-T0313	52	FLAT WASHER (SS) DIA 5/16"
13	RLOI-T0313	52	LOCK WASHER (SS) DIA 5/16"
14	EHEI-T051	52	HEX. NUTS 5/16-18 SS
15	BHEI-T051-0750	1	HEX. CAP SCREWS 5/16-18 X 3/4" SS
16	ESTI-T051	1	STOVER NUT (SS) 5/16-18 NC
17	BAUI-T043-1000	14	SELF-DRILLING "TECK" SCREWS 1/4 X 1" SS
18	EVHO-N00001	1	UNDRAWN PIECE
19	EVHO-N00003	1	UNDRAWN PIECE
20	EVHO-P00045	1	REAR PLATE SS
21	EVHO-A00026	1	6IN DUCT COLLAR

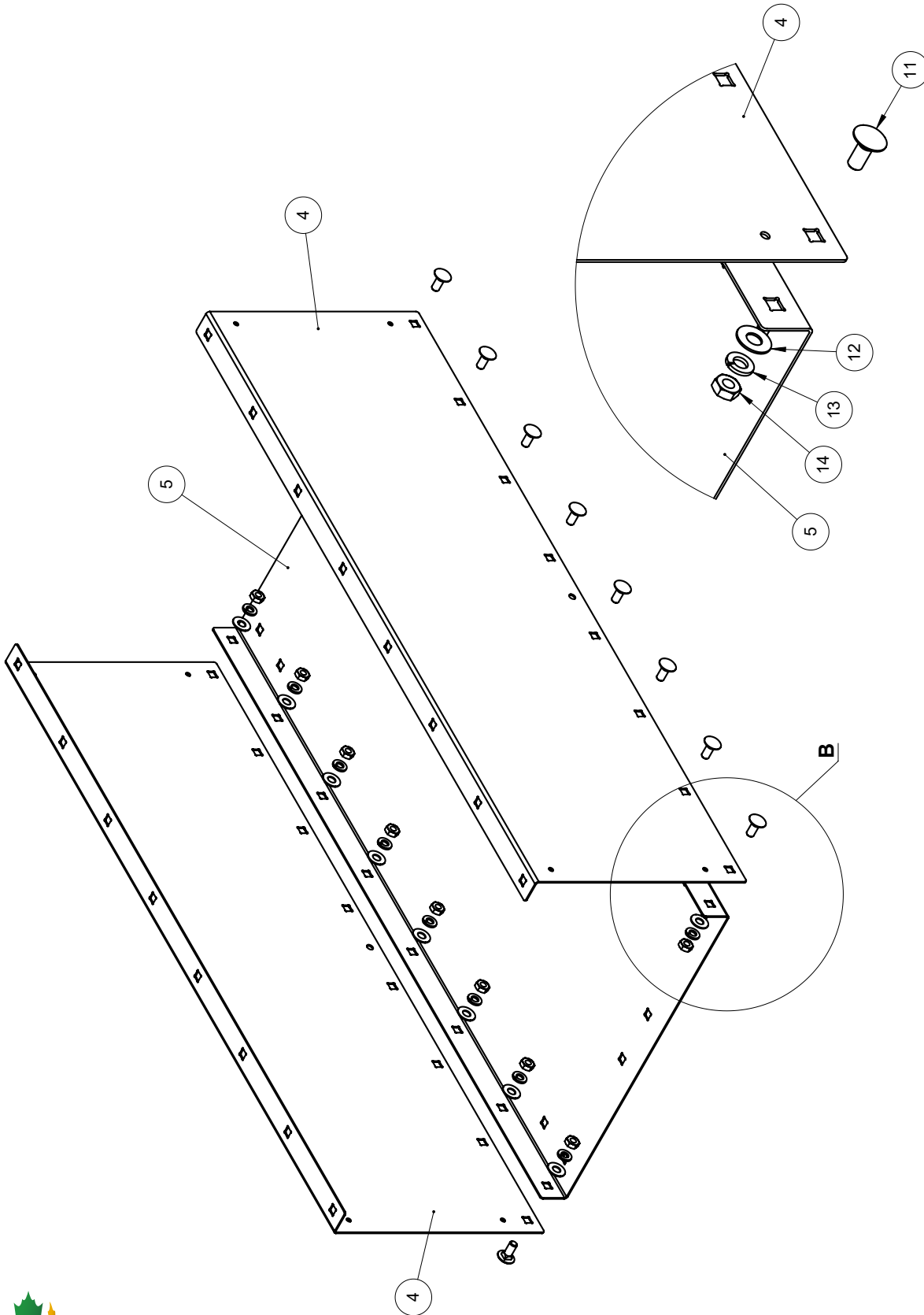


# COMPONENTS



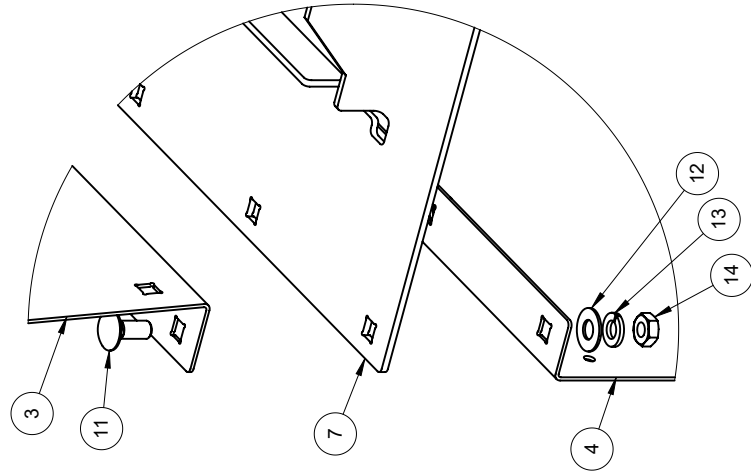
1X (20) LAINE CÉRAMIQUE / CERAMIC WOOL  
 2X (21) BOITE DE LIVRAISON / DELIVERY BOX

# STEP 1

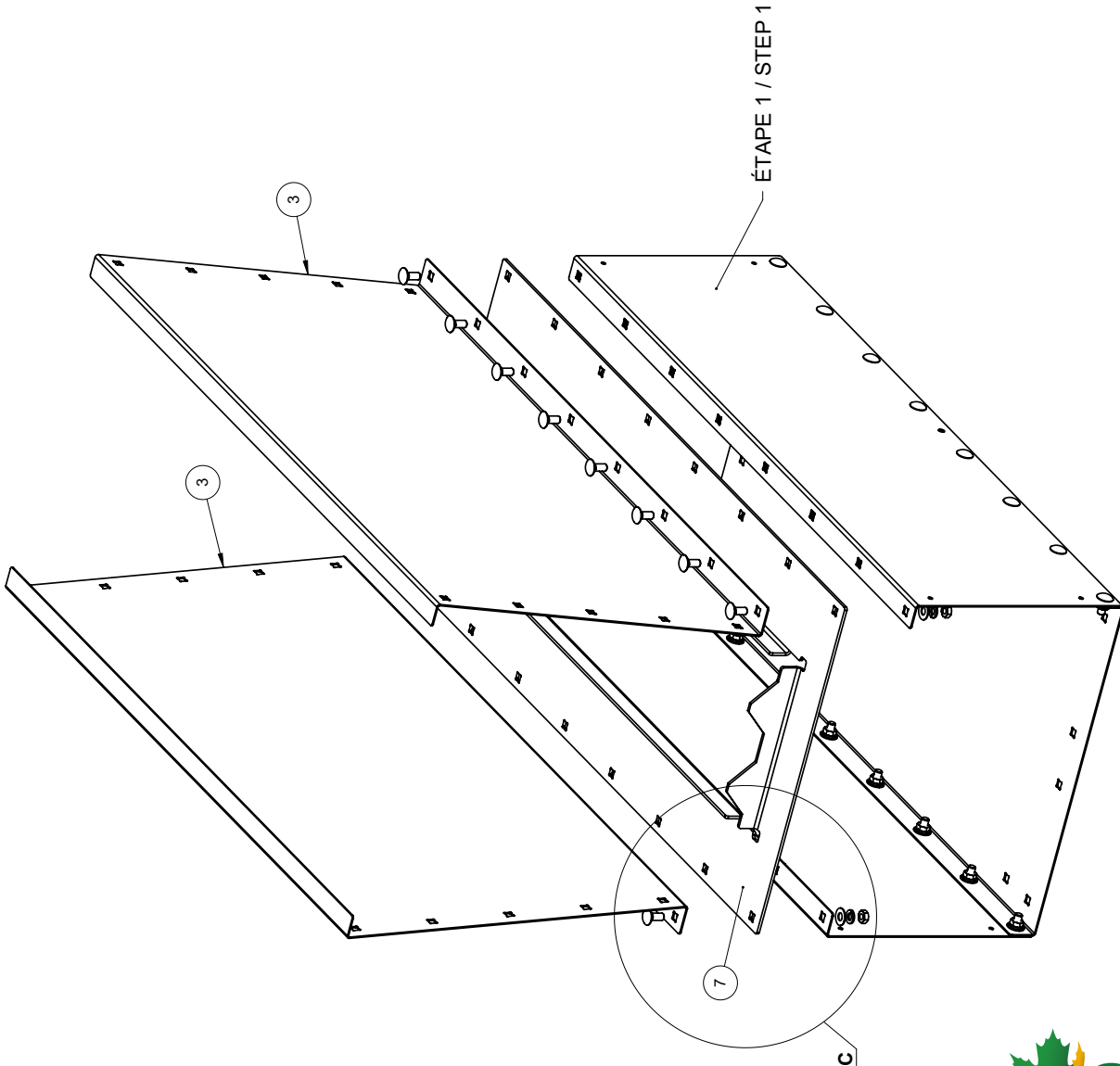


DÉTAIL B  
(TYP. CHAQUE CÔTÉ)  
(TYP. EACH SIDE)  
ECHELLE 1 : 3

# STEP 2

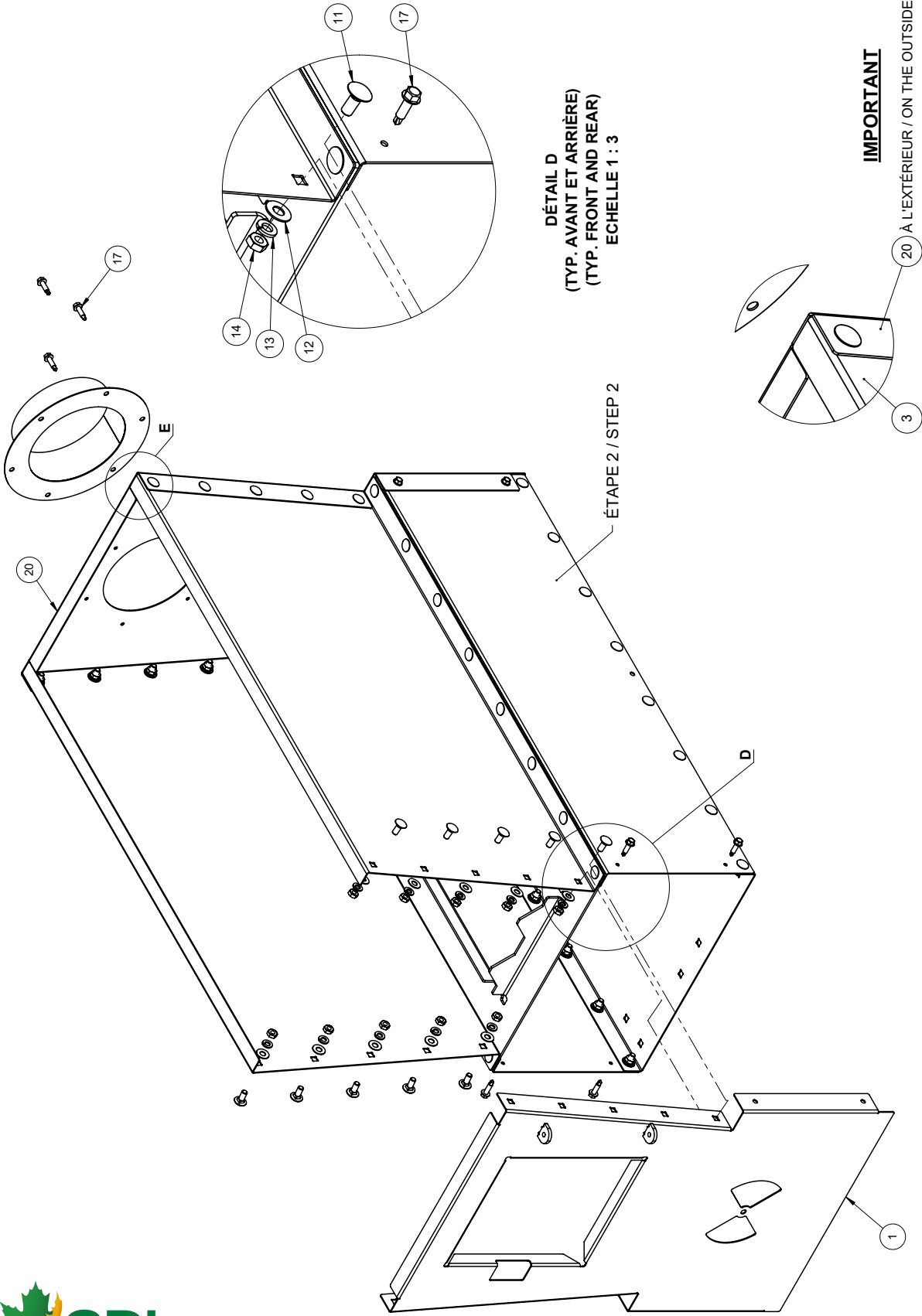


DÉTAIL C  
(TYP. CHAQUE CÔTÉ)  
(TYP. EACH SIDE)  
ECHELLE 1 : 3





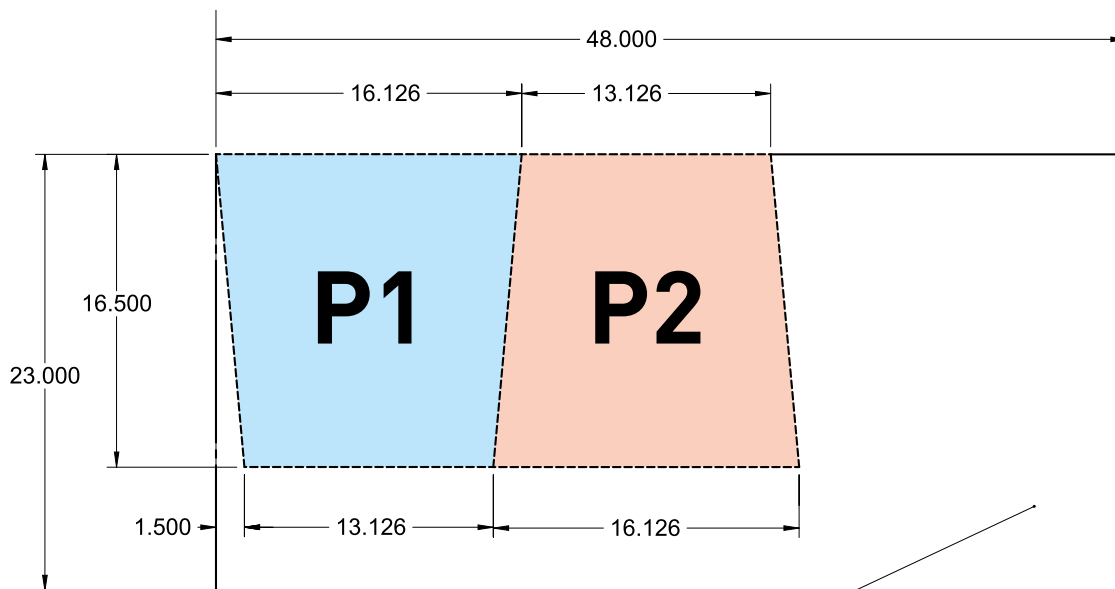
# STEP 3



## CUTTING INSULATION FOR THE DOOR AND FRONT AND BACK PLATES

Use scissors or a utility knife to cut each piece. Refer to the cutting diagram below. Measure and cut along the dotted lines.

1. Cut 2 pieces of insulation for the front and rear panels (P1 and P2), as shown in the diagram below. The top of the trapezoid should measure 16.126" and the bottom of the trapezoid should measure 13.126".
2. Next, insulate the front panel with piece P1. Once the wool has been placed, carefully cut around the edges of the door.
3. Insulate the rear panel using piece P2. Carefully cut a 6" diameter opening for the stack.



UTILISER LE RESTE DE LA LAINE POUR COMBLER  
LES PARTIES OU IL N'Y A PAS DE BRIQUES.  
(2X) 3" X 27" LG + (2X) 3" X 18" LG REQUIS

USE THE REMAINDER OF WOOL TO FILL  
THE REMAINING PART WHERE THERE IS  
NO BRICKS.  
(2X) 3" X 27" LG + (2X) 3" X 18" LG REQUIRED

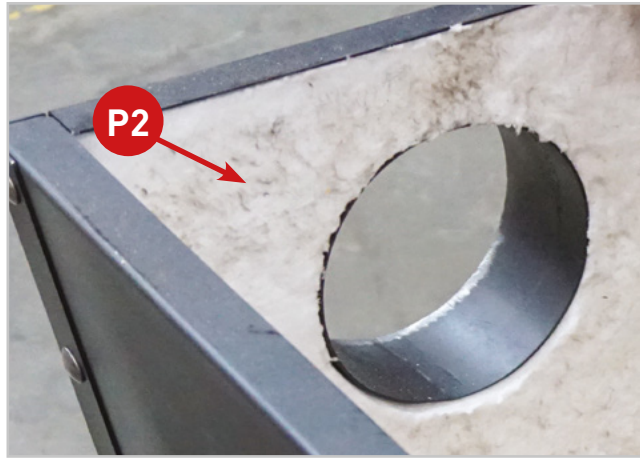


Photo for illustrative purposes only. The materials presented on this photo does not represent the product purchased.

## BRICKING

19 1-1/4" x 4-1/2" x 9" bricks (OPTIONAL, bricks not included - item 670090217) are required to fully brick the evaporator. You can order bricks as an add-on to your order or go to your nearest CDL distributor. Refer to step 5 on page 13 for instructions on bricking.

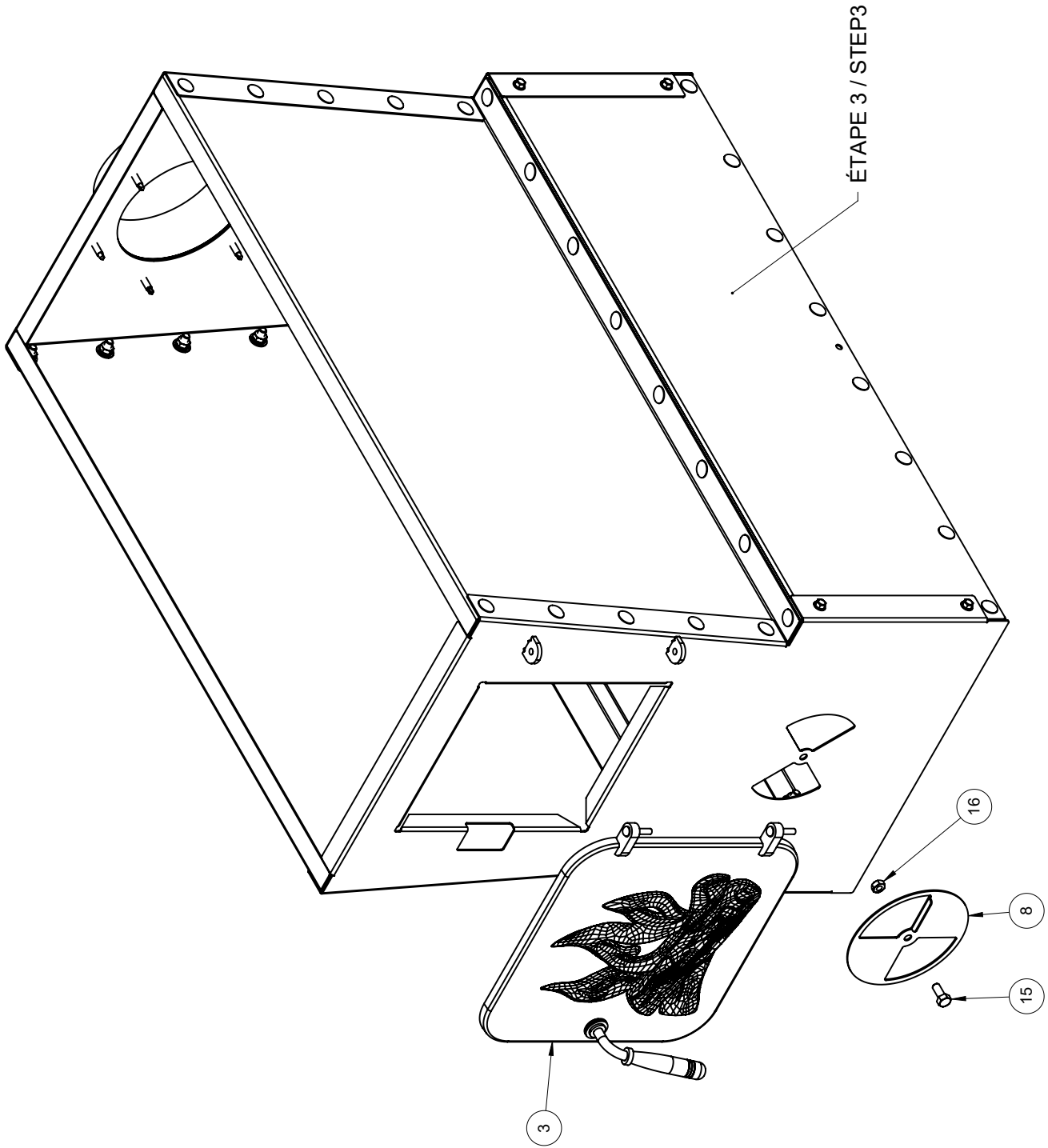
Once the arch has been bricked, use the rest of the wool to insulate the sides that aren't covered by the bricks.



Photo for illustrative purposes only. The materials presented on this photo does not represent the product purchased.

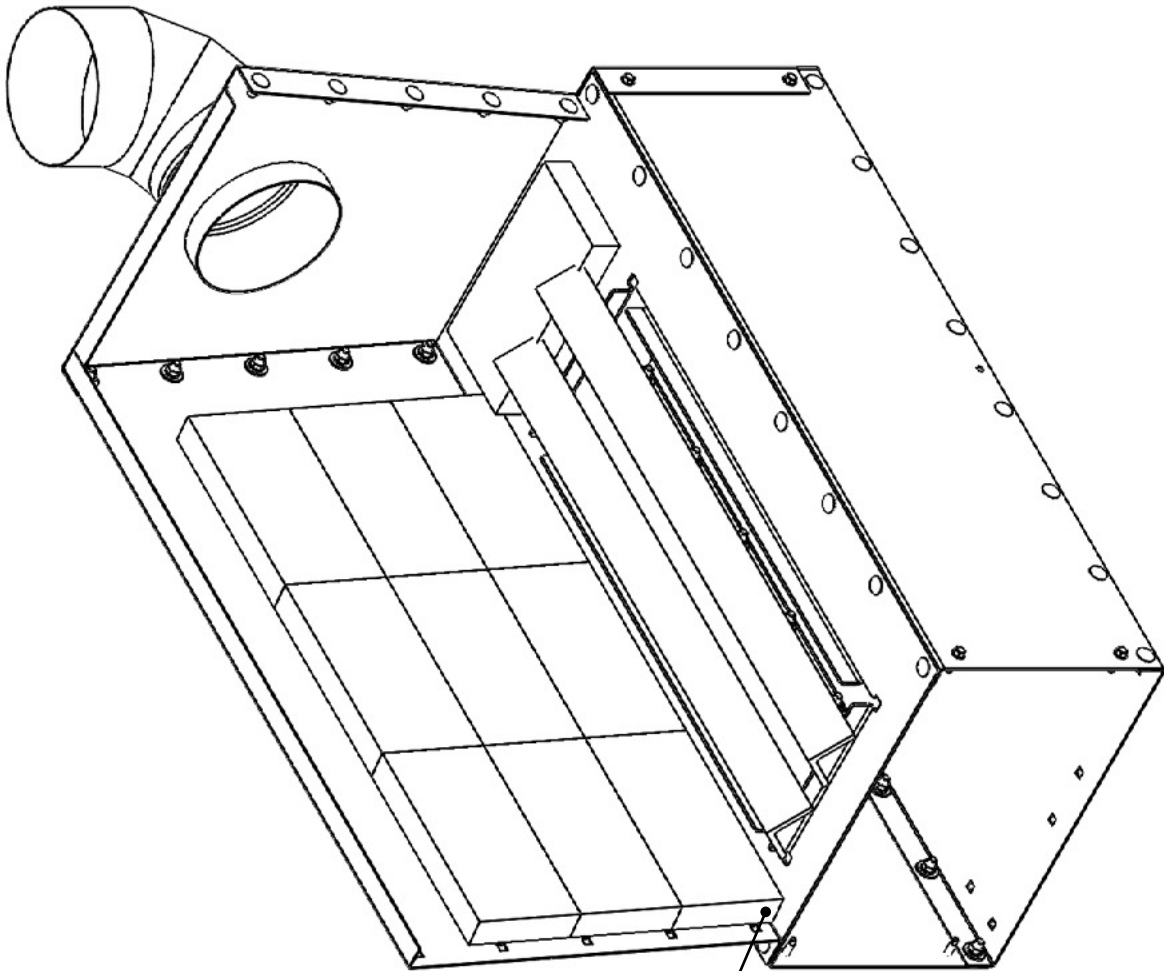
# STEP 4

## Door assembly

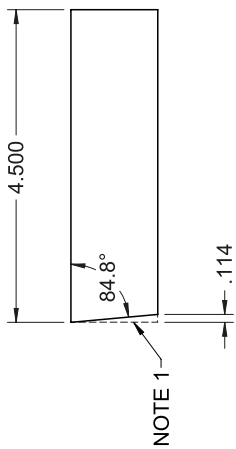


# STEP 5

## Bricking



**OPTIONAL**



NOTE 1  
PARTIE À ENLEVER SI DÉSIRÉ  
(BRIQUES INFÉRIEURES SEULEMENT)  
PART TO REMOVE IF DESIRED  
(BOTTOM BRICKS ONLY)



## **IMPORTANT SAFETY NOTE**

**THE AREA IN FRONT OF THE EVAPORATOR DOOR IS VERY HOT WHEN THE DOOR IS OPEN. ALWAYS WEAR HEAT-RESISTANT GLOVES, PROTECTIVE CLOTHING AND SAFETY GOGGLES. INSUFFICIENT PROTECTION MAY LEAD TO SEVERE BURNS.**

## **OPERATING THE EVAPORATOR**

### **Before turning the evaporator on:**

- First, make sure you have at least 2" of water in the pan.
- Prepare the fire in the firebox using split hardwood, 2" to 3" in diameter and 16" long. Fill the firebox to within 4" of the syrup pan. Make sure the wood is at least 4" from the doors. Light the fire.
- Keep a close eye on the water level in the pan.
- The maple syrup is ready when it reaches 7 degrees above the boiling point of water. Open the valve when the syrup reaches this temperature and close the valve as soon as the temperature drops.
- Repeat each time the temperature reaches 7 degrees above the boiling point.

### **Adjusting the draft:**

The evaporator's draft is adjusted by opening and closing the draft hatch (step 4 - item 8). The smaller the gap, the lower the draft.

## WARRANTY

Your evaporator is covered by a two year limited warranty. For two years from your original date of purchase, Les Équipements d'Érablière CDL (CDL), will replace or replace any parts of this evaporator that prove to be defective in materials or workmanship when such evaporator is installed, used and maintained in accordance with the provided instructions.

### Exclusions

This warranty does not cover the following:

1. Products with original serial number that have been removed, altered or cannot be readily determined.
2. Product that has been transferred from its original owner to another party or removed outside the USA or Canada.
3. Production loss due to any kind of failure of the evaporator.
4. Revenue losses due to syrup quality.
5. Service calls which do not involve malfunction or defect in materials or workmanship, or used other than in accordance with the provided instructions.
6. Service calls to correct the installation of your evaporator or to instruct you how to use your evaporator.
7. Expenses for making the evaporator accessible for servicing, such as the removal of wall, shelves etc.
8. Service calls to repair insulation or the bricking job.
9. Crack cast iron parts if a blower was used in the evaporator.
10. Any service beyond the first two years.
11. Damages caused by: services performed by unauthorized service companies; use of parts other than genuine CDL parts or parts obtained from persons other than authorized service companies; or external causes such as abuse, misuse, inadequate power supply, accidents, fires, or acts of God.
12. It doesn't cover the consumable products or accessories.
13. If the product was damaged by abusive use, negligence, accident caused by the customer, modification made by the customer, variation in the electric power.

14. Damage cause by the use of products that are not meant for use with our equipment or a bad use of a product as acids, cleaning products.
15. Use of painted wood or any wood containing chemicals, glue or any other added agent.
16. Use of any other burning agent than wood.

### **Disclaimer of implied warranties; limitation of remedies**

Customer's sole and exclusive remedy under this limited warranty shall be repair or replacement as provided herein. Claims based on implied warranties, including warranties of merchantability or fitness for a particular purpose, are limited to two years or the shortest period allowed by law, but not less than two years. CDL shall not be liable for consequential or incidental damages such as property damages and incidental expenses or loss or revenues caused by any event covered by this warranty. Some states and provinces do not allow the exclusion or limitation of incidental or consequential damages, or limitations on the duration of implied warranties, so these limitations or exclusions may not apply to you. This written warranty gives you specific legal rights. You may also have other rights that vary from states to states.

### **If you need service**

Keep your receipt, delivery slip or some other appropriate payment record to establish the warranty period should service be required. If service is performed, it is in your best interest to obtain and keep all receipts. Service under this warranty must be obtained by contacting CDL at the addresses or phone numbers below.

Obligations for service and parts under this warranty will be performed by CDL in Canada. Products features or specifications as described or illustrated are subject to change without notice.

Les Équipements d'Érablière CDL  
257, route 279  
Saint-Lazare-de-Bellechasse (Québec) G0R 3J0  
Canada

418 883-5158 | 1 800 361-5158  
[cdlinc.ca](http://cdlinc.ca)

CDL USA  
3 Lemnah Drive  
St. Albans VT 05478  
United States

802 527-0000 | 1 800 762-5587  
[cdlusa.com](http://cdlusa.com)