

Version 1.0
30/06/2020

CDL

OWNER'S MANUAL

SMOKER FOR EVAP-O-GRILL



Evap-O-Grill

Thank you for getting the optional smoker for the Evap-o-grill.
This document will help you with the use of this product and will also give you all the information you might need.



WARNING

**This smoker is designed for the smoking of food,
not to cook or grill at high temperature.
To prevent premature wear or breakage,
avoid high temperatures.**

Do not exceed 300° F

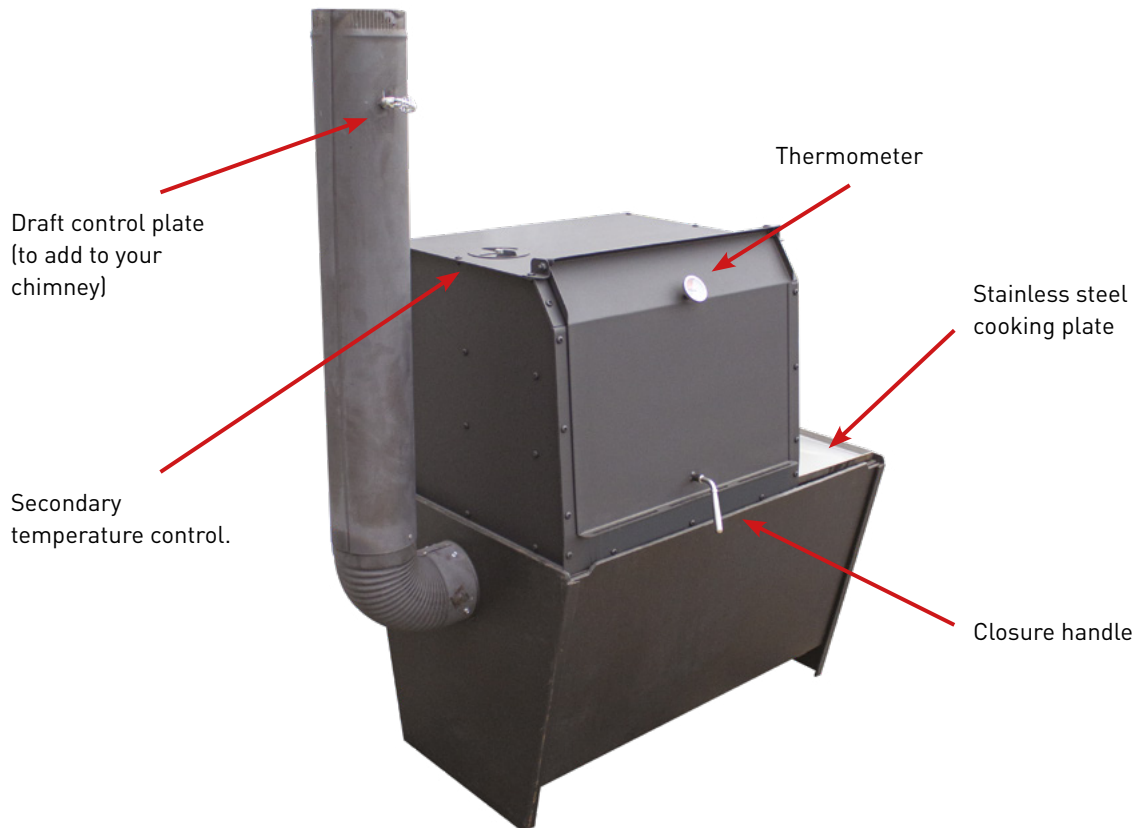


TABLE OF CONTENT

PRODUCT DETAILS	4
WHAT IS INCLUDED	4
ASSEMBLY AND INSTALLATION	5
OPERATION	16
SAFETY	17
TROUBLESHOOTING GUIDE	17
REPLACEMENT PARTS	18
WARRANTY	18



PRODUCT DETAILS



WHAT IS INCLUDED

- All pre-drilled and bent pieces for the assembly
- All necessary nuts and bolts
- Handle
- Thermometer
- Stainless cooking plate
- Draft control plate (to add to your chimney)
- 3 high temperature paint cans

Note that no grates are included with this option because the smoker was designed to be used with the original Evap-O-Grill grates.

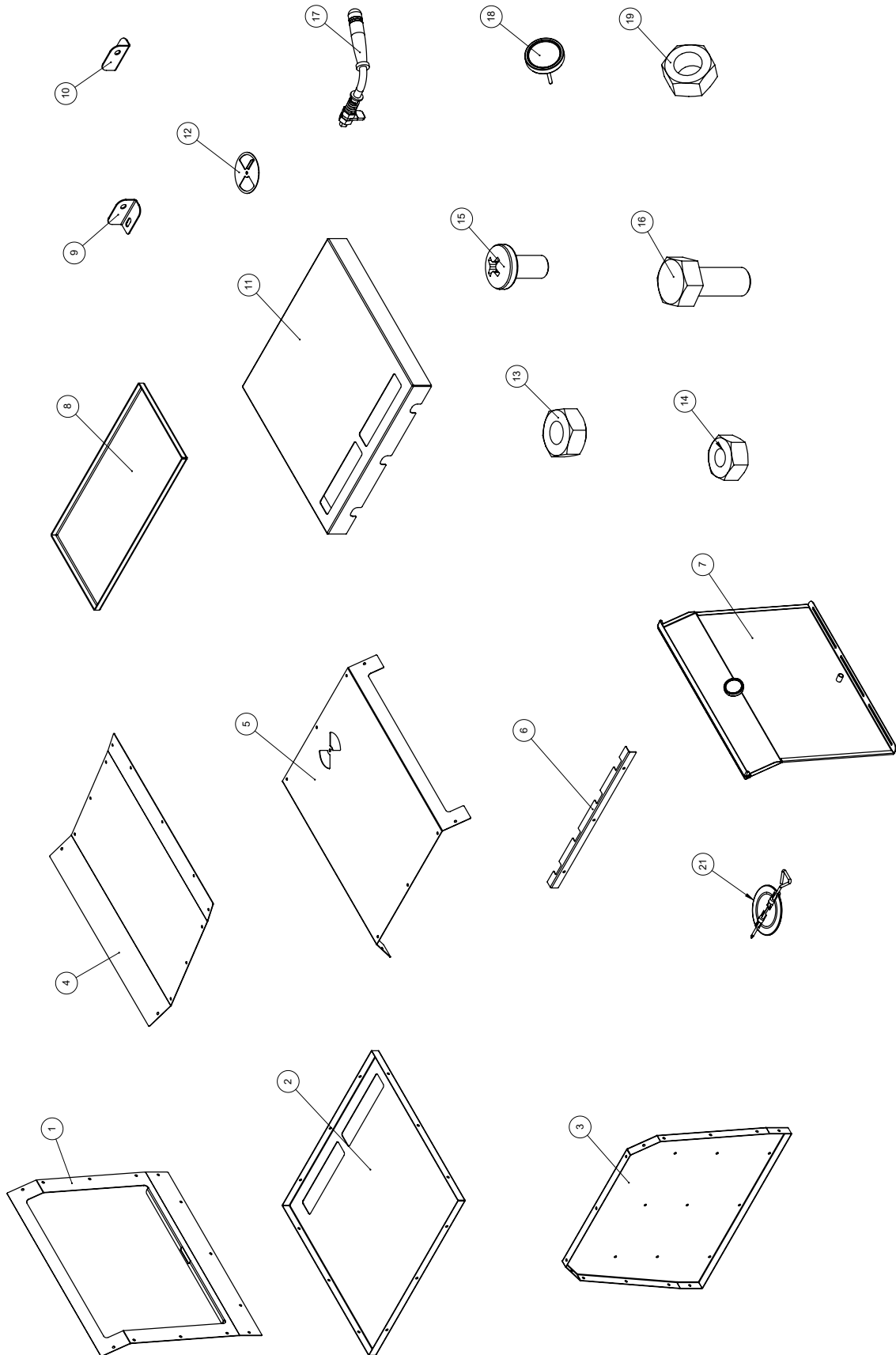


ASSEMBLY AND INSTALLATION

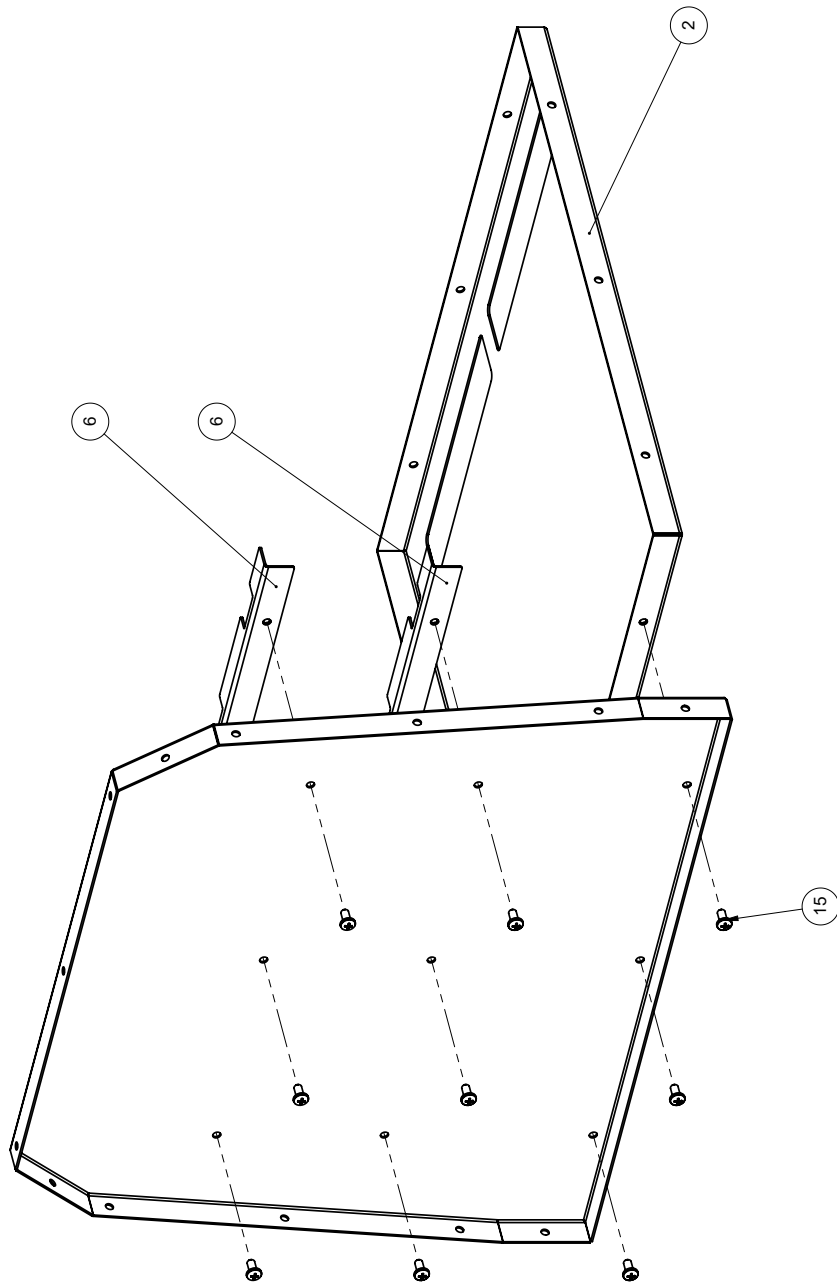
- Please make sure to follow the steps below to ensure proper operation of the smoker
- Do not forgot to paint the components before assembling the unit. Let the parts dry for at least 8 hours before assembling.

#	Item number	Qty	Description
1	EVGR-P00014	1	SMOKER DOOR CONTOUR PANEL
2	EVGR-P00015	1	LOWER DEFLECTOR
3	EVGR-P00016	2	SIDE PANEL
4	EVGR-P00017	1	REAR PANEL
5	EVGR-P00018	1	TOP PANEL
6	EVGR-P00019	4	GRATE SQUARE
7	EVGR-A00013	1	DOOR ASSEMBLY
8	EVGR-A00014	1	FIRE COVER PANEL ASSEMBLY
9	EVGR-P00022	1	#1 DOOR HINGE SQUARE
10	EVGR-P00023	1	#2 DOOR HINGE SQUARE
11	EVGR-P00024	1	UPPER DEFLECTOR
12	EVGR-P00025	1	VENTILATION DISK
13	ESTI-T051	3	STOVER NUT 5/16-18 X 3/4" SS
14	EHEI-2041Z	50	HEX. NUTS 1/4-20 ZINC
15	BPEI-T041-0500	50	ROUND HEAD SCREW 1/4-20 SS
16	BHEI-5051-0750	3	HEX. BOLT 5/16-18 X 3/4" ZINC
17	670098	1	EVAP-O-GRILL HANDLE
18	603424	1	2" THERMOMETER FOR BBQ
19	EHEM-T081	1	HEX. NUT M8 X 1 SS
20	EVGR-N00004	1	NOT ON DRAWING

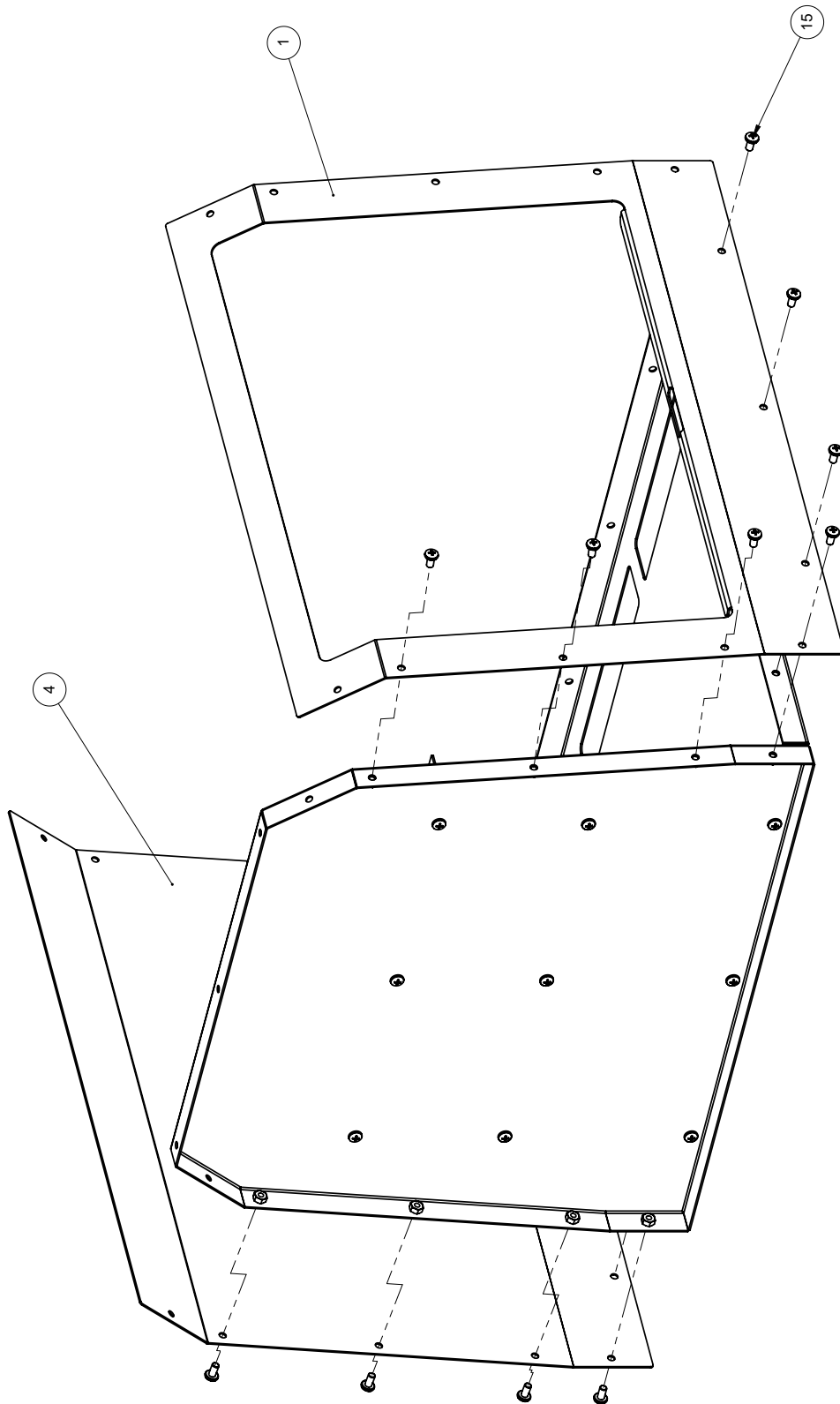




STEP 1

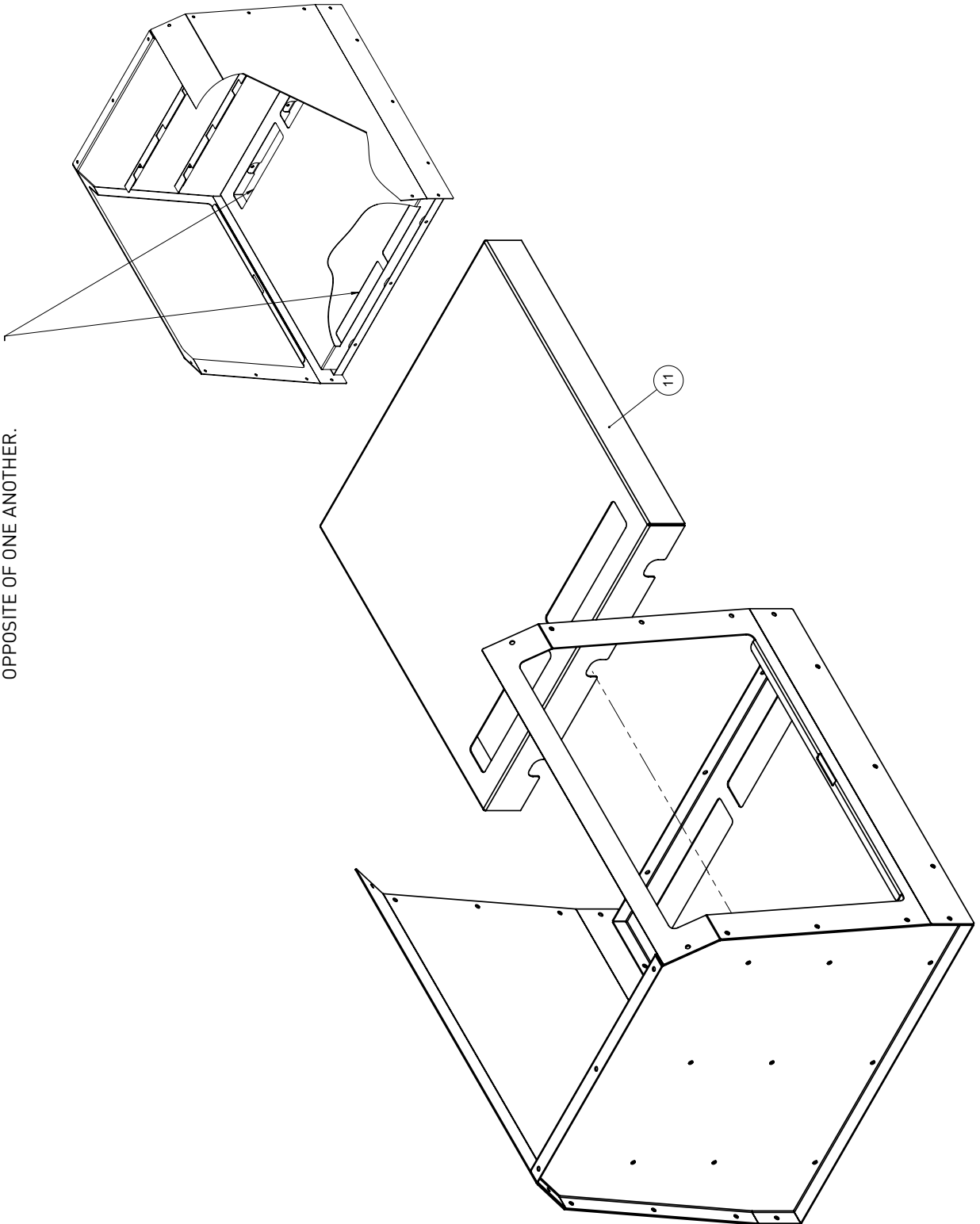


STEP 2

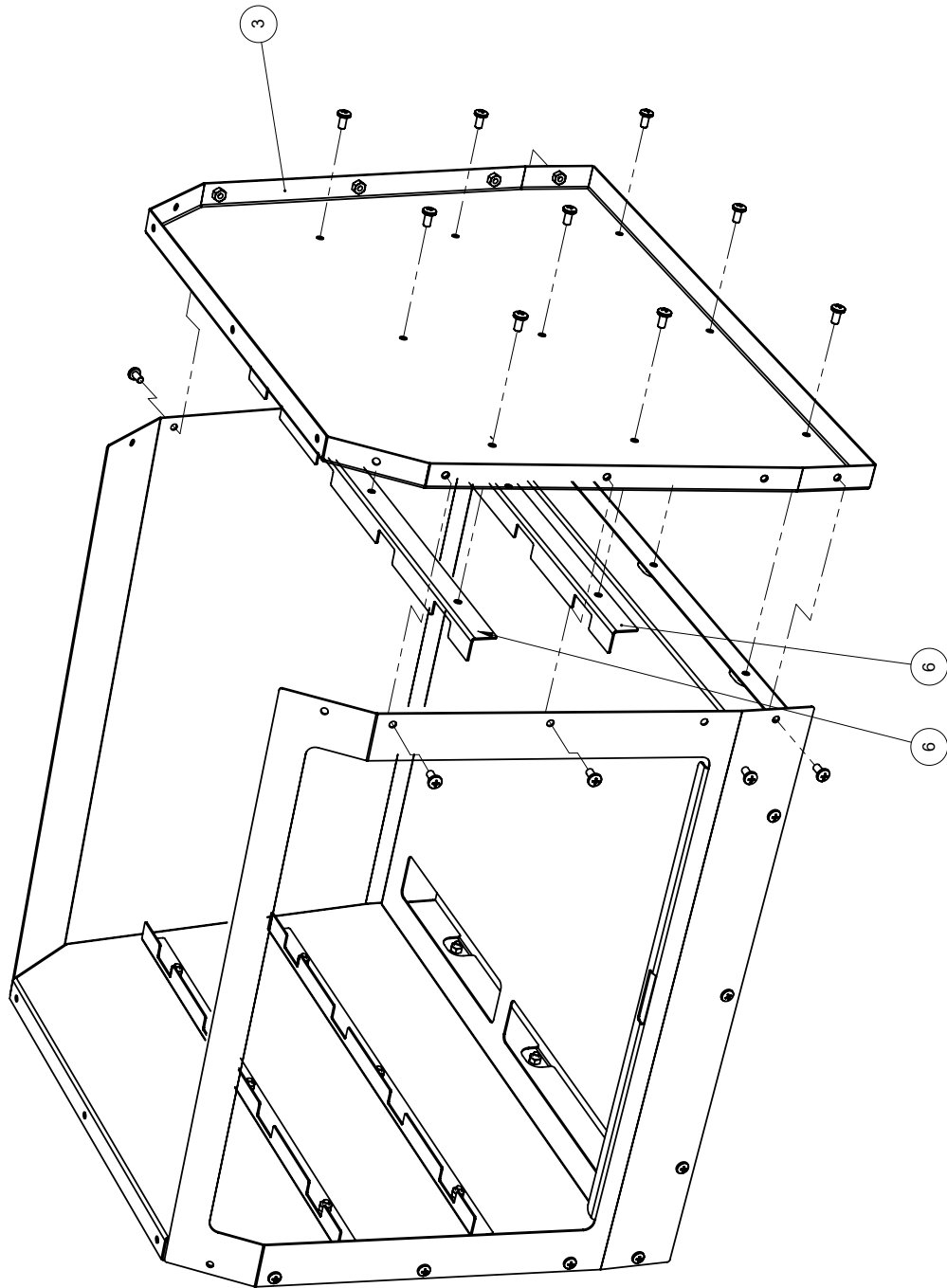


STEP 3

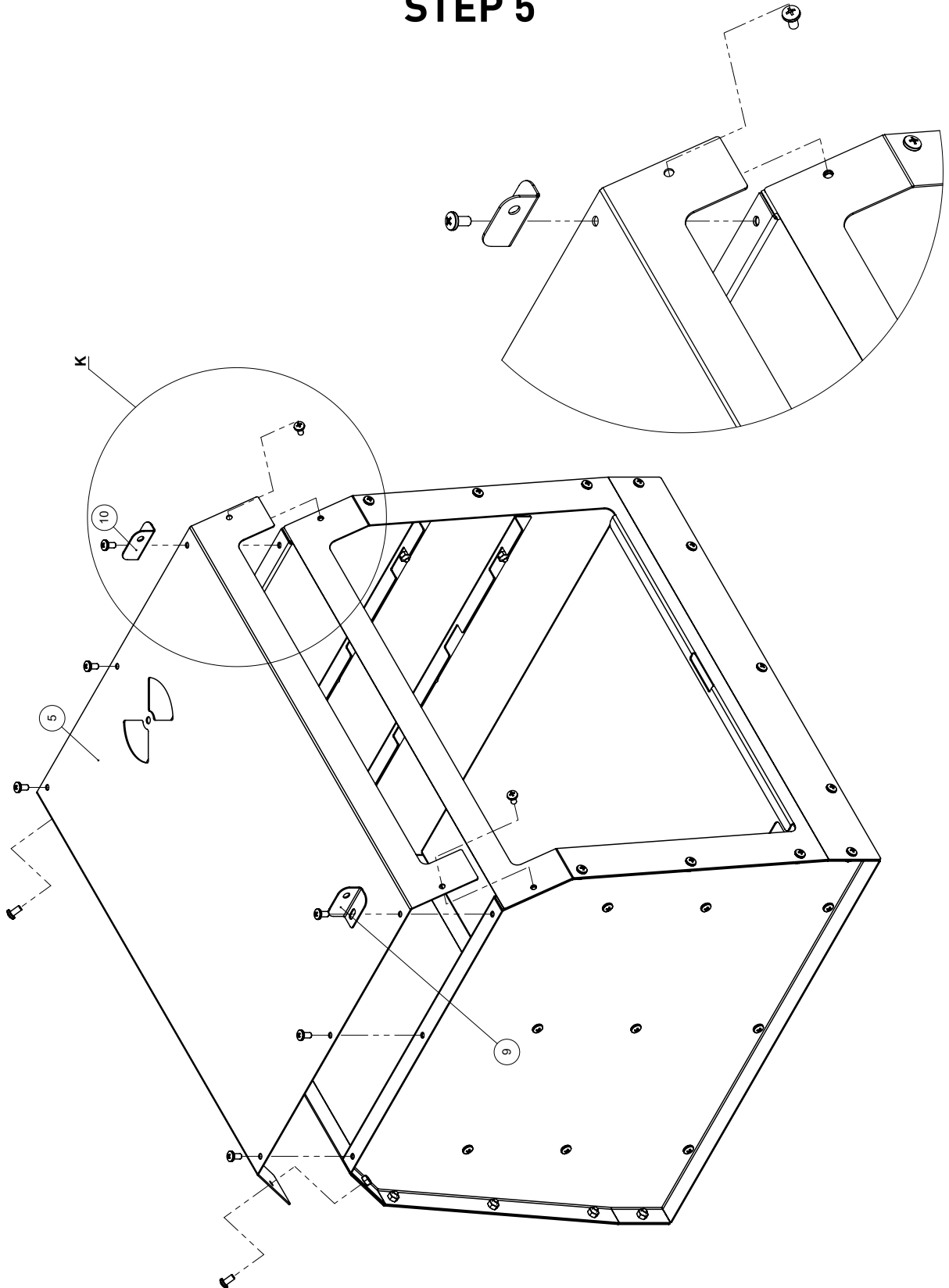
ORIENTATION OF THE OPENINGS MUST BE OPPOSITE OF ONE ANOTHER.



STEP 4



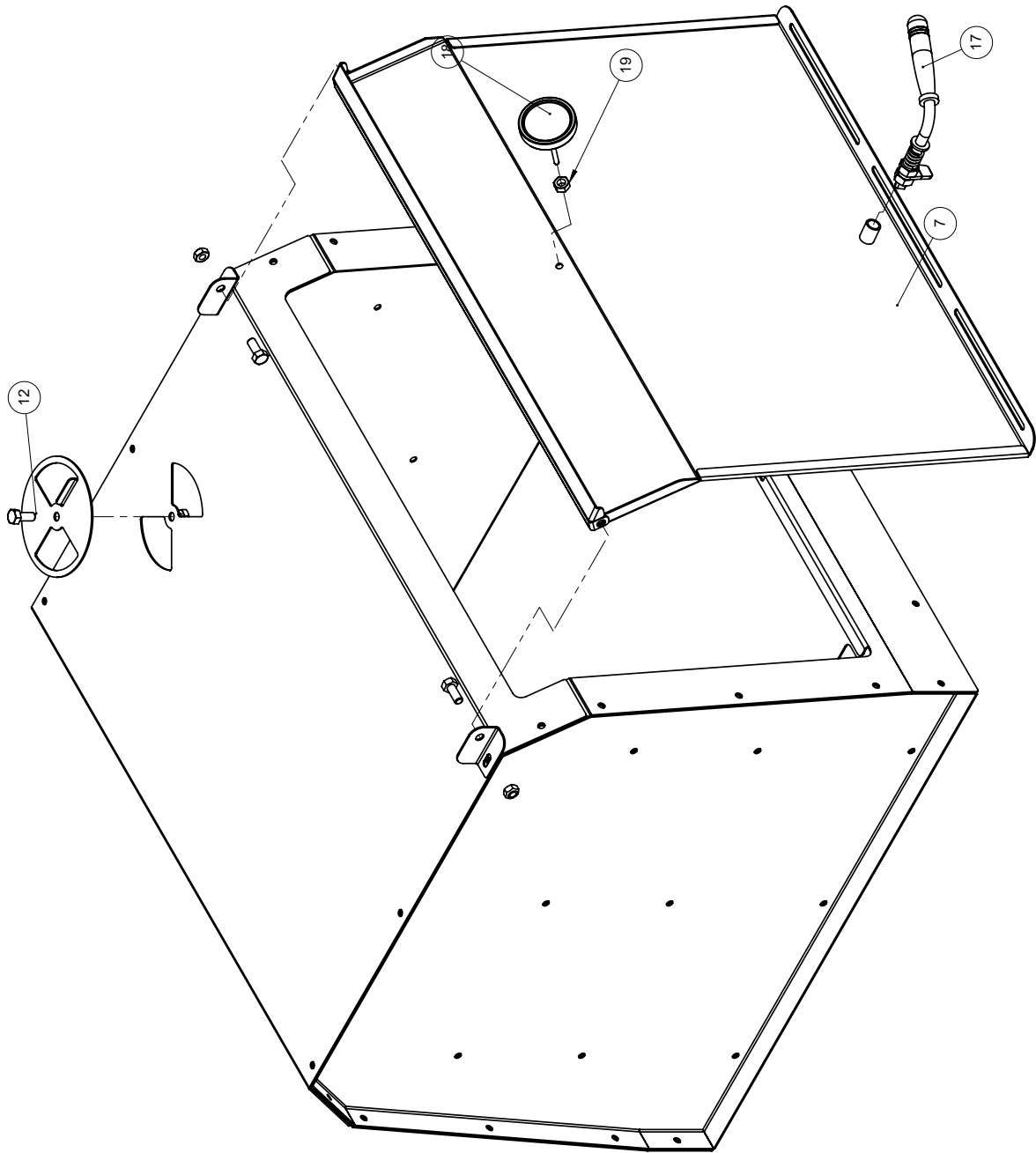
STEP 5



DÉTAIL K

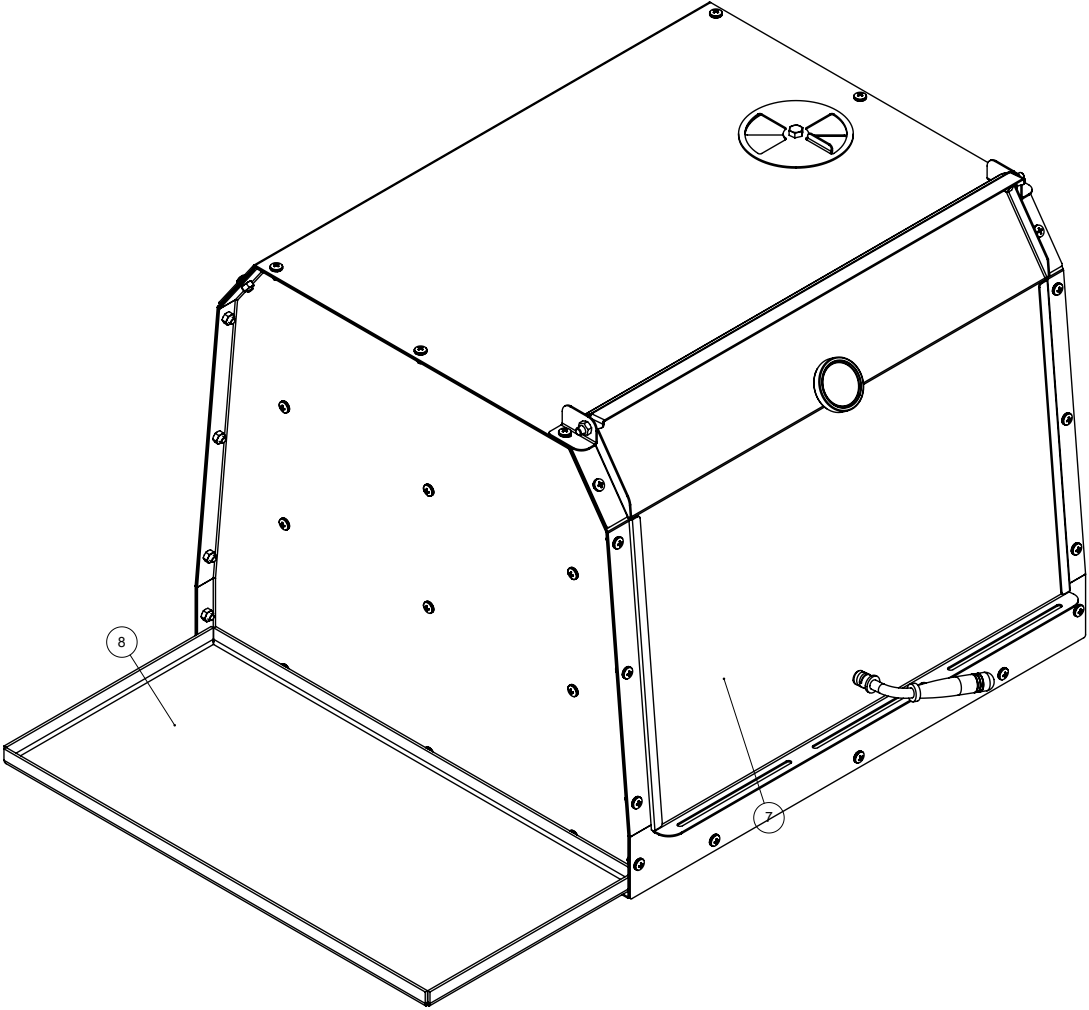


STEP 6

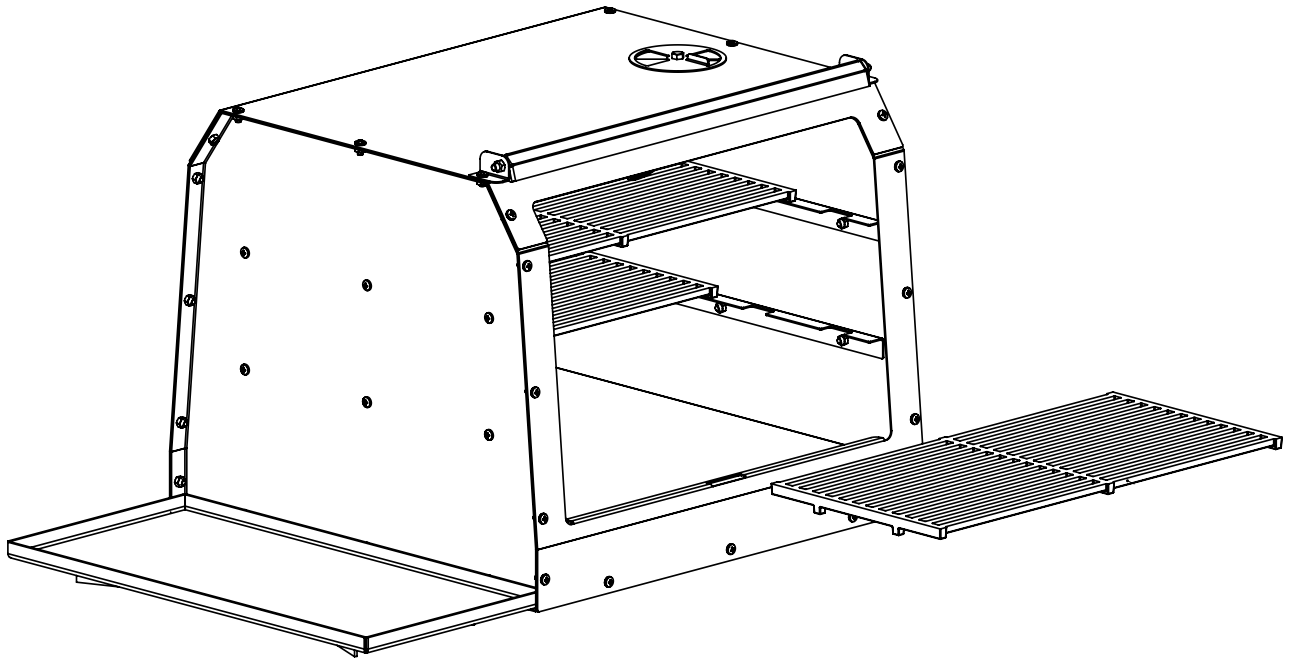


STEP 7

Installation on the Evap-O-Grill

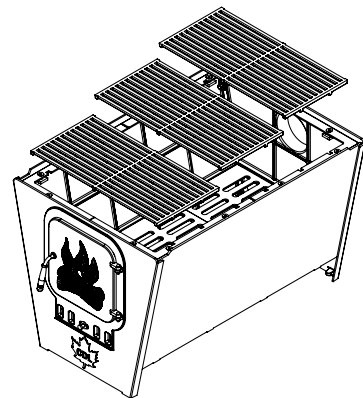


GRATES INSTALLATION



NOTE : Remove the Evap-O-Grill grates and install them in the smoker. You can use 1, 2 or 3 grates.

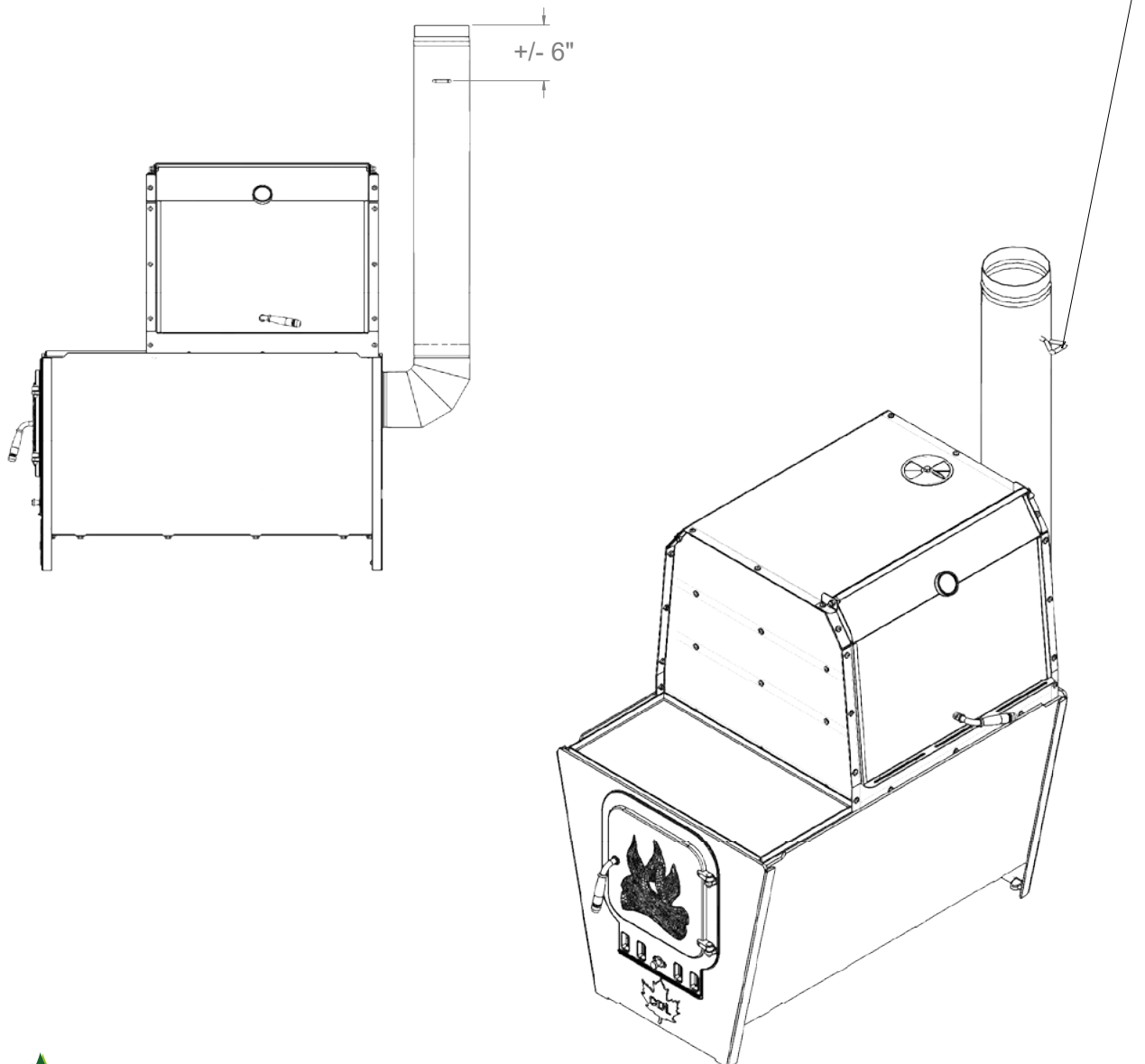
DO NOT LAY THE SMOKER ON THE GRILLS.



DRAFT CONTROL KEY INSTALLATION

Install the draft control key in the chimney supplied with the Evap-O-Grill, it will help you control the temperature and the smoke level in the smoker.

**INSTALL THE 6" DRAFT KEY (INCLUDED)
6" FROM THE TOP OF THE SMOKE STACK.**



OPERATION

- Before using the smoker with food, maintain a temperature of 250° F for at least 3 hours to eliminate undesirable odors and fumes.
- To do so, light a small fire inside the Evap-O-Grill and control the temperature using the secondary temperature control and the draft control key.
- Take the previous step to understand how the machine works by adjusting the secondary temperature control, the air intake in front of the Evap-O-Grill and the draft control key and see how the system reacts.
- Never put too much wood in the Evap-O-Grill. The temperature could rise out of control and it will damage the smoker.
- To protect the unit and avoid grease accumulation, install a drip pan or aluminum foil on the bottom.



SAFETY

- Wear protective gloves when the smoker is hot.
- Be carefull, the whole unit will be hot when in operation.
- Never exceed 300° F

TROUBLESHOOTING GUIDE

Problem	Causes	Solutions
The temperature of the smoker is too high	<ul style="list-style-type: none"> • Too much wood in the Evap-O-Grill • The draft key is closed • The air intake is wide open 	<ul style="list-style-type: none"> • Take some of the wood out • Open the draft key • Close partially or completely if necessary the air intake shutter • Fine tune using the secondary control
The temperature of the smoker is too low	<ul style="list-style-type: none"> • Not enough wood in the Evap-O-Grill • The draft key is open too wide • The air intake is shut 	<ul style="list-style-type: none"> • Add more wood. • Close gradually the draft key • Slide open the air intake shutter • Fine tune using the secondary control
Not enough smoke	See problems on top	See solutions on top



REPLACEMENT PARTS

Grates : 67009026

Thermometer : 603424

Handle : 670098

WARRANTY

Your smoker is covered by a two year limited warranty. For two years from your original date of purchase, Les Équipements d'Érablière CDL (CDL), will replace or replace any parts of this smoker that prove to be defective in materials or workmanship when such smoker is installed, used and maintained in accordance with the provided instructions.

Exclusions

This warranty does not cover the following:

1. Products with original serial number that have been removed, altered or cannot be readily determined.
2. Product that has been transferred from its original owner to another party or removed outside the USA or Canada.
3. Service calls which do not involve malfunction or defect in materials or workmanship, or used other than in accordance with the provided instructions.
4. Any service beyond the first two years.
5. Damages caused by: services performed by unauthorized service companies; use of parts other than genuine CDL parts or parts obtained from persons other than authorized service companies; or external causes such as abuse, misuse, inadequate power supply, accidents, fires, or acts of God.
6. It doesn't cover the consumable products or accessories.
7. If the product was damaged by abusive use, negligence, accident caused by the customer, modification made by the customer.
8. Damage cause by the use of products that are not meant for use with our equipment or a bad use of a product as acids, cleaning products.



Disclaimer of implied warranties; limitation of remedies

Customer's sole and exclusive remedy under this limited warranty shall be repair or replacement as provided herein. Claims based on implied warranties, including warranties of merchantability or fitness for a particular purpose, are limited to two years or the shortest period allowed by law, but not less than two years. CDL shall not be liable for consequential or incidental damages such as property damages and incidental expenses or loss or revenues caused by any event covered by this warranty. Some states and provinces do not allow the exclusion or limitation of incidental or consequential damages, or limitations on the duration of implied warranties, so these limitations or exclusions may not apply to you. This written warranty gives you specific legal rights. You may also have other rights that vary from states to states.

If you need service

Keep your receipt, delivery slip or some other appropriate payment record to establish the warranty period should service be required. If service is performed, it is in your best interest to obtain and keep all receipts. Service under this warranty must be obtained by contacting CDL at the addresses or phone numbers below.

Obligations for service and parts under this warranty will be performed by CDL in Canada. Products features or specifications as described or illustrated are subject to change without notice.

Les Équipements d'Érablière CDL
257, route 279
Saint-Lazare-de-Bellechasse (Québec) G0R 3J0
Canada

418 883-5158 | 1 800 361-5158
cdlinc.ca

CDL USA
3 Lemnah Drive
St. Albans VT 05478
United States

802 527-0000 | 1 800 762-5587
cdlusa.com

